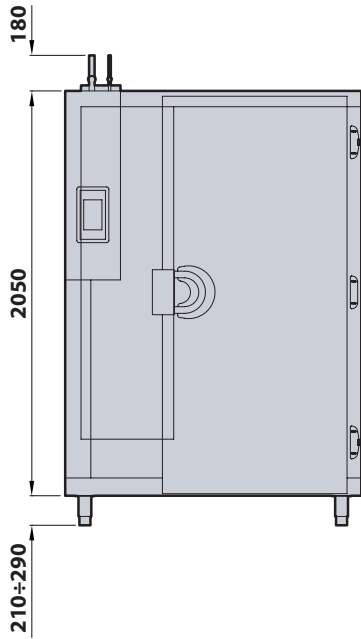
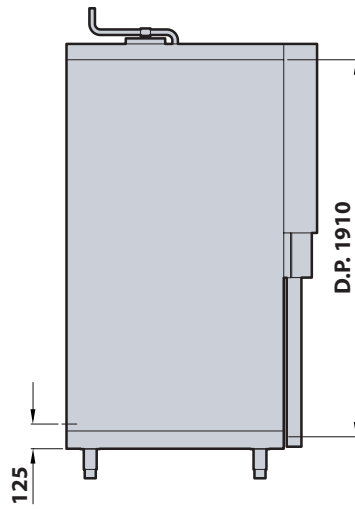


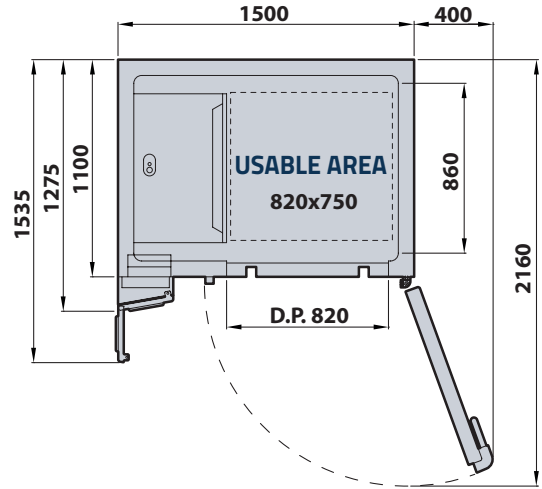
FRONT VIEW



SIDE VIEW



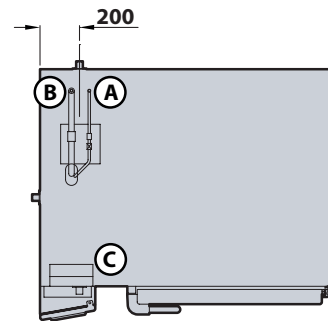
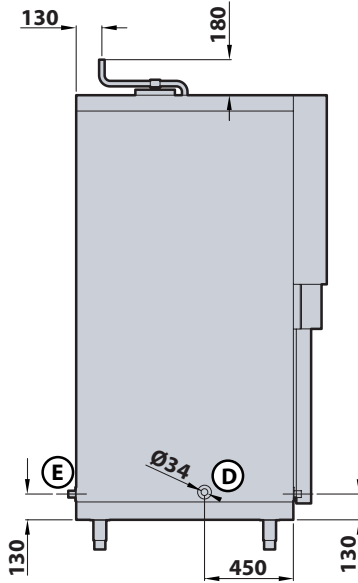
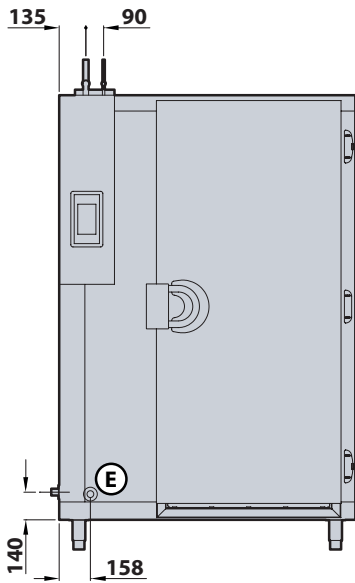
TOP VIEW



Measurement in millimeters

DRAWING REFERRED TO THE VERSION WITH FEET

DRAIN POSITION



Measurement in millimeters

DRAWING REFERRED TO THE VERSION WITH FEET

GENERAL CHARACTERISTICS

Number of trolleys (GN1/1 x h 1747)	-	
Number of trolleys (GN2/1 x h 1747)	1	
A	Liquid line connection	
B	Suction line connection	
C	Communication power cable inlet	
D	Standard drainage discharge	øIn (ømm) 1" 1/4 DN32
E	Drainage discharge on request	øIn (ømm) 1" 1/4 DN32

(D.P.) = Door passage

The back door is optional and on request

DOOR OPTION

Singole	Duoble
✓	-

MULTI-FUNCTION OR TEMPERATURE BLAST CHILLER, MULTI-TROLLEY, CELL GROUP

Electric supply:		400V 3N+PE 50Hz		400V 3N+PE 60Hz		230V 3+PE 50Hz		230V 3+PE 60Hz		208V 3+PE 60Hz		-		200V 3+PE 50/60Hz	
		Standard	Plus	Standard	Plus	Standard	Plus	Standard	Plus	Standard	Plus	Standard	Plus	Standard	Plus
Varsiants															
Total rating (FLI)	kW	1,10	-	1,50	-	1,60	-	1,60	-	1,60	-	-	-	1,60/1,60	- / -
Full load amps (FLA)	A	2,50	-	2,70	-	5,20	-	5,20	-	5,20	-	-	-	5,20/5,20	- / -
Main power cable	mm ²	5G1.5	-	5G1.5	-	4G1.5	-	4G1.5	-	4G1.5	-	-	-	4G1.5	-
Section of electrical cable between cell and unit	mm ²	7x1.5													
Refrigerant type		R404A / R452A													
Maximum ambient air temperature	°C	32													
Cabinet weight	kg	-													
Effective internal Cell volume	dm ³	-													
Base with feet option		✓													
Maximum height of the cell with feet	mm	2380													
Feet height	mm	210 ÷ 290													
Sunken floor option		x													
Maximum height of the cell with sunken floor	mm	-													
Dimension of the space underneath the cell (W x D x H)	mm	- x - x -													
Floor with ramp option		x													
Maximum height of the cell with ramp	mm	-													
Ramp length	mm	-													
Ramp height	mm	-													
Ventilated floor with ramp option		x													
Maximum height of the cell with ramp and ventilated floor	mm	-													
Ramp length	mm	-													
Ramp height	mm	-													

TUBES CONNECTING TO THE CONDENSING UNIT

		MF130.2 ST				
Liquid Line Connection	øln (ømm)	5/8" (15.88 mm)				
Suction line connection	øln (ømm)	1" 1/8 (28.58 mm)				
Valid for condensing units installed up to a distance of	m			25,0		

BLAST CHILLER SIZE

		MF130.2 ST				
Yield for blast chilling cycle: * (90/+3°C)	øln (ømm)	130				
Yield for shock freezing cycle: ** (90/-18°C)	øln (ømm)	130				

*: within 90 min. **: within 240 min.

STANDARD PACKING

Gross Weight	kg	590				
Dimensions (W x D x H)	mm	2500 x 1650 x 1760 x N°1				
Volume	m ³	7,26				